

MENNEKES
 Electrical Products
 277 Fairfield Road
 Fairfield, NJ 07004
 800-882-7584
 www.MENNEKES.com

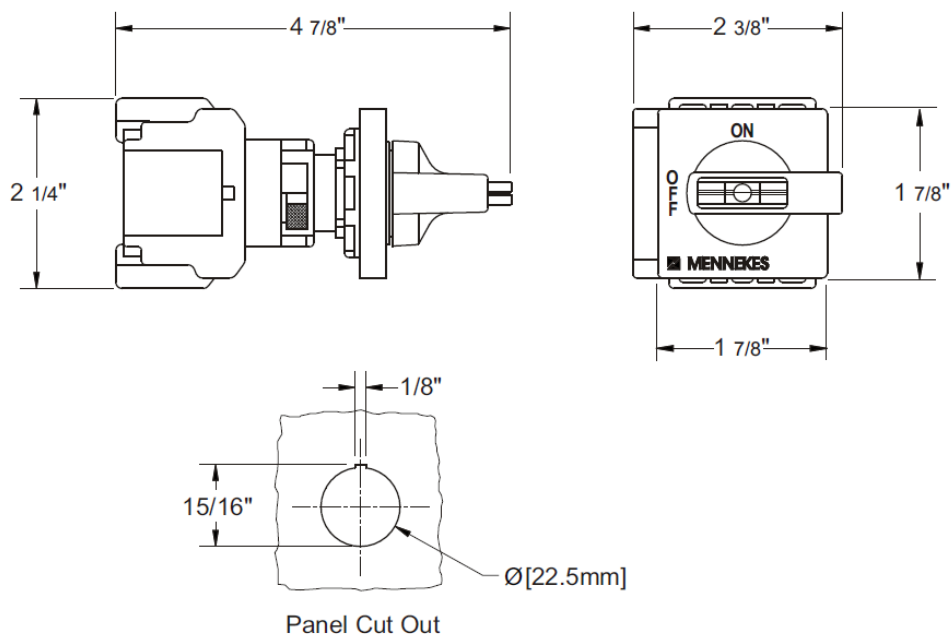
FS DISCONNECT SWITCH

Part No.	ME 30FS-M2
Description:	30 Amp 3Ø 600Vac Motor Disconnect with Auxiliary Contacts - 1 N/O, 1 N/C
Construction:	Handle: NEMA 4X; 12 - Overall Rating Dependant Upon Specific Installation
Approvals:	UL 508; UL 50E; and CSA C22.2 No.14-10
Performance:	Lock Rotor Tested 10kAIC with 70A RK1 Fuse Suitable as Motor Disconnect Per NEC 430-109 (a)(6)

HP RATINGS:

1 Ø		
120V	240V	480/600V
1	2.5	5

3 Ø		
120V	240V	480/600V
2	5	10



Drawing Not to Scale